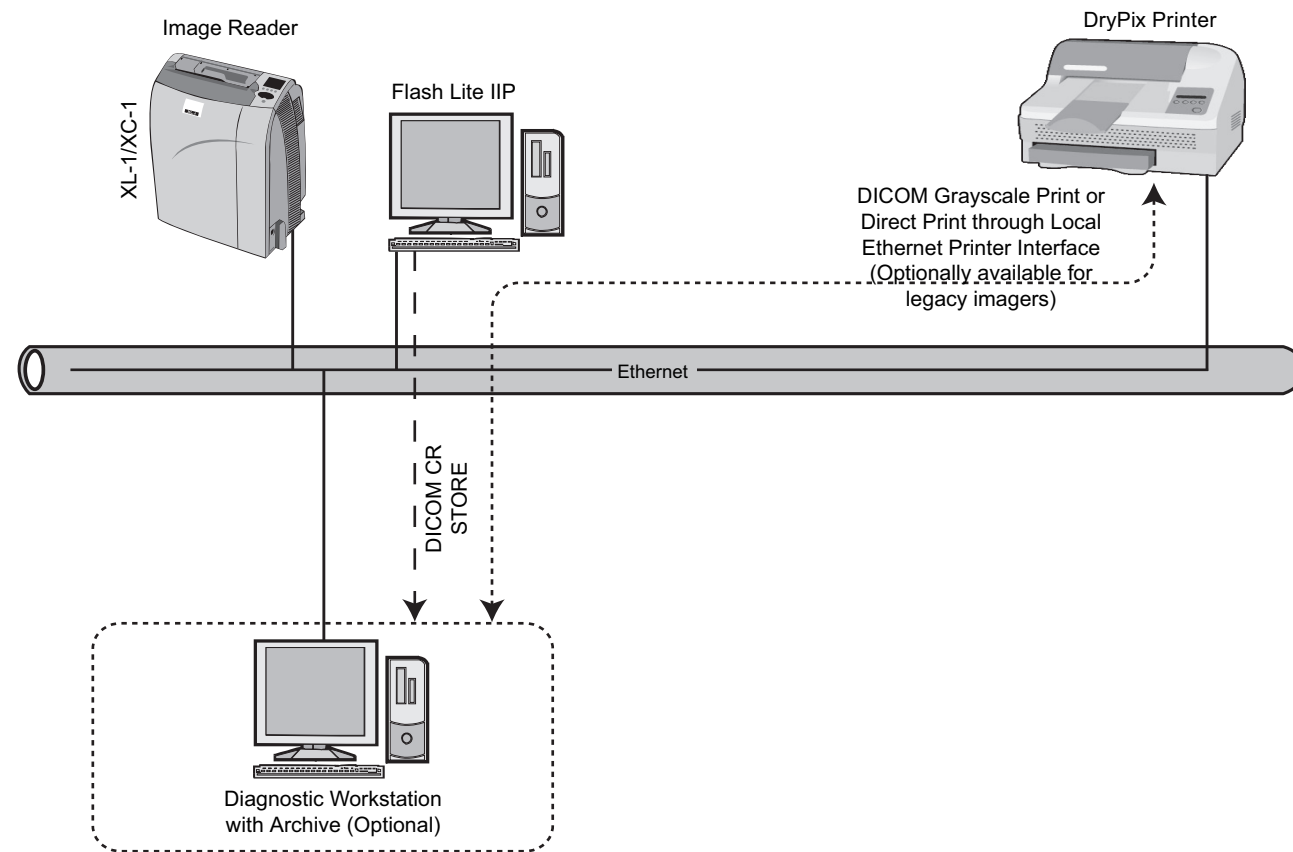


Connectivity Diagram for Typical Practice



Notes:

- Network Interface - 100 Base-T/100 Base-TX, half or full recommended.
- Interfacing with Legacy FCR equipment - devices that communicate through DMS protocol can be connected to the network printer by adding an optional Fuji DryPix Station to convert the DMS to DICOM.
- FCR XL-1 can interface to other FCR Readers and/or Flash IIPs on the network.
- FCR XC-1 operates as a stand-alone system with a dedicated relationship of the reader to the Flash IIP console.

Specifications subject to change without notice.



MANAGED MEDICAL IMAGING

Managed Medical Imaging, LLC
 9667 NW 15th Ct
 Pembroke Pines, FL 33024
 Phone: 954-802-0634
 Fax: 954-212-0108

FUJIFILM MEDICAL SYSTEMS



Product Data

FCR XL-1 & FCR XC-1

Digital X-ray with
 Exceptional Image Quality in
 An Efficient, Compact Package



Application

The Fuji Computed Radiography XL-1 and XC-1 are digital radiography systems utilizing storage phosphor Imaging Plates (IP) as an x-ray detection device.

FCR XL-1 and XC-1 units scan and process x-ray image information from an IP that has been exposed using a cassette-type x-ray stand. This system can also print out hard copies on film via a connected image recorder and can transmit digital images to PACS.

The FCR XL-1 and XC-1 provide chest, abdomen, bone, spine, head and other plain x-ray imaging as well as spinal canal, bronchial tube, urinary organ and other contrast medium x-ray imaging. FCR XL-1 systems include the capability to perform Pantomographic exams.

Features

Due to the benefits of digital image processing, the system produces radiographs that have a high diagnostic value and are easy to read. High resolution (HQ) reading modes are standard and user selectable.

Both fast scan and high resolution (HQ) reading modes are user selectable. Fast scan reading provides maximum throughput for the XL-1 for both 14"x14" and 14"x17" sizes, HQ reading provides high resolution (10 pixel/mm) image acquisition and display for the most demanding diagnostic situations. The system's wide latitude and automatic sensitivity adjustment function protects radiographs from variations in x-ray exposure conditions. This results in consistent image density for all radiographs. Image processing parameters are selected through an anatomical region selection menu.

Internal barcode reader on the FCR XL-1 enables network connectivity to other FCR readers and Flash IIP console workstations. The FCR XC-1 supports dedicated relationship of the reader to the Flash IIP console workstation.

Patient information can be obtained by manual input at the Flash IIP console or via HIS/RIS using DICOM Worklist Management.

Options

Dedicated XL-1, XC-1 cart: Heavy duty engineered stand providing countertop for the XL-1 and XC-1 readers and support for the CPU and monitor of the Flash IIP console workstation. The compact stationary rack for the XL-1 and XC-1 readers also features convenient side mounted cassette holders.



Other System Components

Flash IIP consoles: Flash Essentials IIP,
Flash Lite IIP, Flash Plus IIP
FCR External DVD-RW
Custom Stand
Siesmic Brackets

Available IP Cassette Types

Inch settings
14 x 17", 14 x 14", 10 x 12",
8 x 10", 14 x 34", 14 x 40", 14 x 50",
15 x 30cm (XL-1 only)
Metric settings
35 x 43cm, 35 x 35cm, 24 x 30cm,
18 x 24cm, 15 x 30cm (XL-1 only)

FCR XL-1 Image Reader (Model: CR-IR 356) & FCR XC-1 Image Reader (Model: CR-IR 355)

- (1) IP cassette type CC, LC
- (2) Flash IIP Console
- (3) Image Recorder:
DRYPIX 3000, DRYPIX 7000
DRYPIX 4000, DRYPIX 5000

Supplies

FUJI Imaging Plates (IP)

- standard type ST-VI
14 x 17" (35 x 43cm), 14 x 14"
(35 x 35cm), 10 x 12", 8 x 10",
24 x 30cm, 18 x 24cm,
15 x 30cm (XL-1 only)

THROUGHPUT	XL-1		XC-1	CYCLE TIME (Sec.)	
	Fast Scan (5pixels/mm)	HQ (10pixels/mm)	HQ (10pixels/mm)	XL-1 Std (Fast Scan)	XC-1
Reading mode					
Throughput (IPs/hour)					
14x17in	87	62	35	58 (41)	101
14x14in	94	70	40	52 (38)	88
10x12in	-	73	45	49	80
8x10in	-	87	56	41	64
24x30cm	-	75	45	48	79
18x24cm	-	92	60	39	60
15x30cm	-	73	-	49	-

IMAGE READING

Reading gray scale: 12 bits/pixel

Output gray scale: 10 bits/pixel

FCR XL-1

Reading Size		14x17"	14x14"	10x12"	8 x 10"	24x30cm	18x24cm	15x30cm
Fast Scan Pixel density	Pixel Density (pixels / mm)	5	5	-	-	-	-	-
	Number of Pixels	1760x2140	1760x1760					
High Pixel density	Pixel Density (pixels / mm)	10	10	10	10	10	10	10
	Number of Pixels	3520x4280	3520x3520	2505x3015	2000x2510	2364x2964	1770x2370	1464x2964

FCR XC-1

Reading Size		14x17"	14x14"	10x12"	8x10"	24x30cm	18x24cm
High Pixel Density	Pixel Density (pixels / mm)	10	10	10	10	10	10
	Number of Pixels	3520x4280	3520x3520	2505x3015	2000x2510	2364x2964	1770x2370

EXTERNAL DIMENSIONS AND WEIGHT*:

Width in. (mm)	Depth in. (mm)	Height in. (mm)	Weight lb. (kg)
23.2 (590)	15.0 (380)	31.9 (810)	216 (98)

* Dimensions and weight are approximate and are subject to change without prior notice.

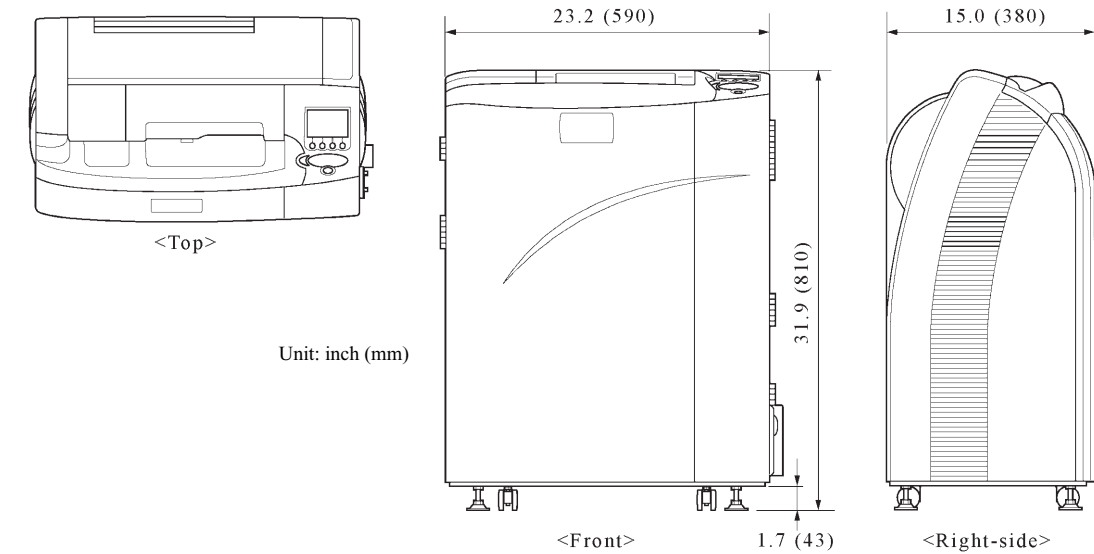
Power Supply Conditions

Single phase 50-60Hz
AC 120-240V ±10%
5A (Max.)

Operating Conditions

Temperature: 15 - 30°C
Humidity: 40 - 80%RH
(No dew condensation)
Heat Output: XL-1 995 BTU/hr
XC-1 588 BTU/hr
Power consumption: XL-1 290 VA (W) or less
XC-1 170 VA (W) or less

FCR XL-1/XC-1 Image Reader



Footprint For Placement

